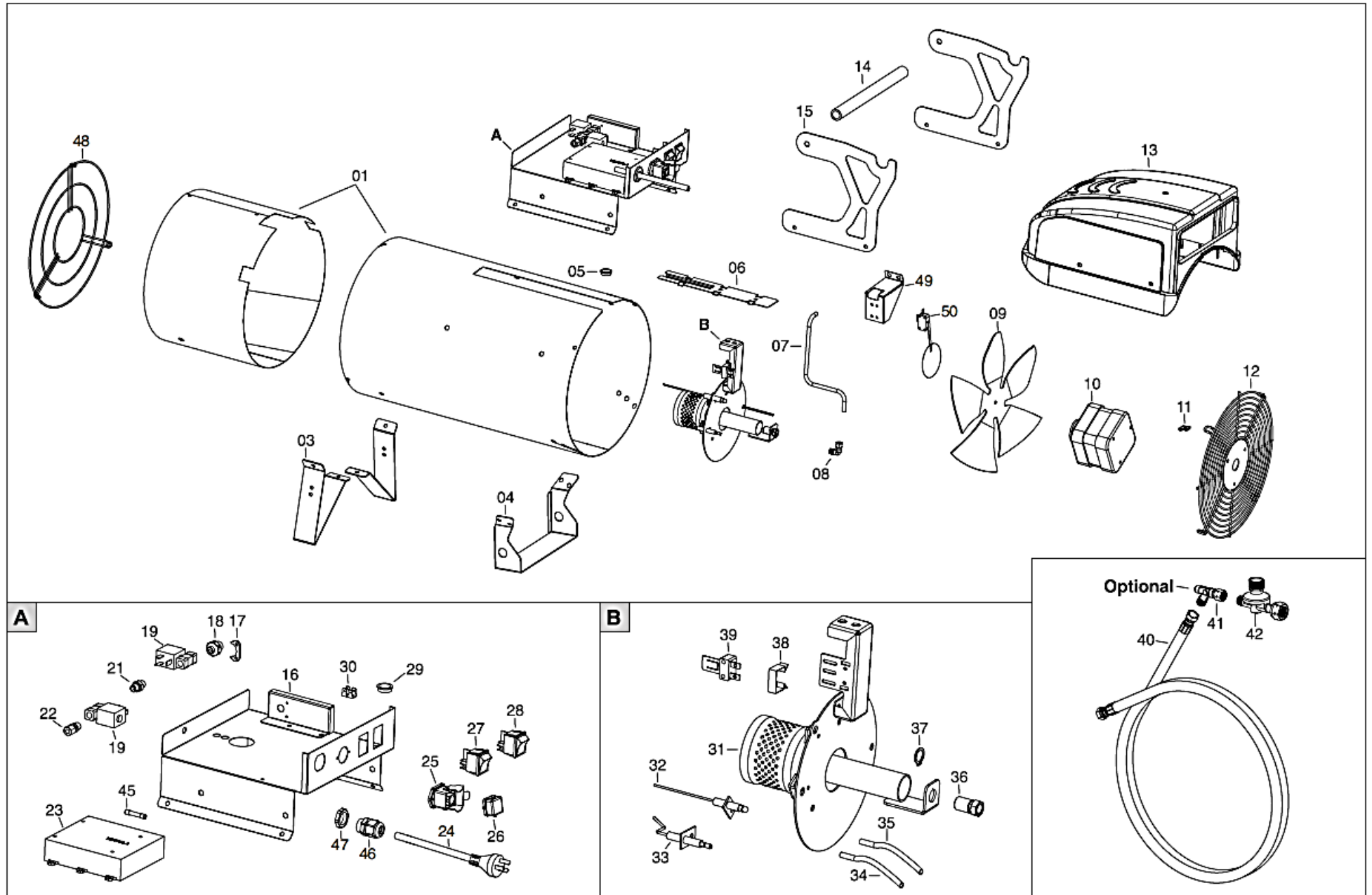


J20A EXPLODED VIEW & PART NUMBERS



PL 01/18		From S/N
		48700001
POS	PART NUMBER	DESCRIPTION
1	BDG034449010	Body
3	BDG034459005	Support
4	BDG031899005	Support
5	BDC30348	Cable protection
6	BDG031909010	Stirrup
7	BDI42005	Gas supply pipe
8	BDI30869	Connection bicone
9	BDT10274	Fan
10	BDE10718	Motor
11	BDM20412	Lock plate
12	BDP30176	Inlet grill
13	BDP50142	Control box cover
14	BDG031919005	Handle
15	BDG031929005	Handle support
16	BDG031979005	Support plate
17	BDG03194	Fitting lock bracket
18	BDI30738	Brass fitting
19	BDT30226	Solenoid valve
21	BDI20115	Iron fitting
22	BDI30855	Connection bicone
23	BDE40136	Flame control box
24	BDE30493	Power cord
25	BDE20640	Thermostat plug
26	BDE20665	Thermostat plug cover
27	BDE10133	Reset button
28	BDE10102P	Switch
29	BDC30388	Cable protection
30	BDM20615	Terminal board to rivet
31	BDG03195	Combustion head
32	BDE10214	Ionisation electrode
33	BDE10213	Ignition electrode

34	BDE00389	H.T. Cable connect.
35	BDE00581	Ionisation cable
36	BDI33013	Nozzle
37	BDM20317	Seeger ring
38	BDM20428	Stirrup
39	BDE50103	Safety thermostat
40	BDI40561	Gas hose
41	BD03AC503	Excess flow valve
42	BDT30340US	Pressure regulator
45	BDE10317	Fuse
46	BDE20964	Cable fastener
47	BDE20965	Cable fastener nut
48	BDP30179	Outlet grill
49	BDG03446	Microswitch support bracket
50	BDE104571	Microswitch with plate